

PIPLA NEWS

The official newsletter of the Pittsburgh Intellectual Property Law Association

ANNUAL MEETING/AWARDS LUNCHEON

Wednesday, April 20, 2016

Eddie Merlot's
444 Liberty Avenue, Four Gateway Center
Pittsburgh, PA 15222
Phone: 412-235-7676

Time: 12:00pm (noon)

Payment Required:
\$35 – Lunch

With prepayment, select one:
(1) Seared crab cakes
(2) Steak frites (flat iron skirt steak
with red wine sauce)

Check payable to PIPLA. Mail to:

PIPLA
c/o The Webb Law Firm
One Gateway Center, Ste. 1200
420 Ft. Duquesne Blvd.
Pittsburgh, PA 15222

OR PayPal via website:
www.piplaonline.org

Please RSVP by **April 15, 2016**

No refunds for cancellations; walk-ins cannot be accommodated; late RSVPs after April 15, 2016 contingent upon seating/meal availability with an additional \$20 fee.



IN THIS ISSUE

Annual Meeting / Awards Luncheon	1
PIPLA Nominations for 2016-2017	1
Important Dates in 2016	1
Is Pittsburgh an IP Hotbed?	2
Pittsburgh Invention Spotlight	2
Recently Filed IP Cases in the W.D. Pa	3

PIPLA Nominations for 2016-2017

Officers

- President: Jacob H. Rooksby
- Vice President: Chip H. Dougherty
- Secy.-Treasurer: Patricia A. Olosky

Board of Managers

- Ying Cao
- Matthew W. Johnson
- Robert L. Wagner
- Joshua R. Nightingale

IMPORTANT DATES IN 2016

Mark your calendars!

- **April 20, 2016** – Annual Meeting/ Awards Lunch (Eddie Merlot's)
- **June 9, 2016** – PIPLA Golf Outing

IS PITTSBURGH AN IP HOTBED?

During a recent PIPLA meeting, several students from Duquesne University School of Law discussed PIPLA’s long history, and they touched on Pittsburgh’s place in the nation’s intellectual property landscape. While it may be difficult to compare our city to the traditional “hotbed” regions like Washington, D.C., and Silicon Valley, what about comparably-sized regions throughout the country? How does Pittsburgh’s intellectual property community stack up against our closest “competition”?

According to recent U.S. census estimates, the Pittsburgh metro area ranks as the 26th largest, by population, in the United States. While not necessarily a sure-fire indicator of the influence that intellectual property has on a region’s largest industries, the number of registered patent practitioners in a city likely hints at the role that patents (and other forms of IP) play in the area’s economy. Below is a chart showing the number of patent attorneys and agents registered to practice before the USPTO in Pittsburgh and other metro areas of similar size:

City	Metro Population	# of Reg. Patent Attorneys/ Agents
Denver, CO	2,814,330	308
St. Louis, MO	2,811,588	308
Baltimore, MD	2,797,407	104
Charlotte, NC	2,426,363	175
Portland, OR	2,389,228	262
Orlando, FL	2,387,138	88
San Antonio, TX	2,384,075	105
Pittsburgh, PA	2,353,045	304
Sacramento, CA	2,274,194	43
Cincinnati, OH	2,157,719	273
Las Vegas, NV	2,114,801	87
Kansas City, MO	2,087,471	118
Cleveland, OH	2,060,810	291
Columbus, OH	2,021,632	82
Austin, TX	2,000,860	600

As can be seen by this chart, Pittsburgh ranks as one of the top mid-sized U.S. cities when it comes to the number of registered patent practitioners. Perhaps this is not surprising, given the number of tech-focused companies and research institutions in the area. However, it is a bit of validation that intellectual property plays a vibrant role in our region’s economy. While we may never reach the levels of Austin, Texas, home to one of the country’s largest universities and an important research center for tech giants like Dell and IBM, it would certainly not be far-fetched to see Pittsburgh’s IP community trending in that direction.

PITTSBURGH INVENTION SPOTLIGHT

This month’s invention spotlight is actually for an invention that issued earlier this year: “Robotic Strong Arm,” U.S. Patent No. 9,254,234, invented by Rory A. Cooper of Gibsonia, Garrett G. Grindle, of Pittsburgh, and Mark McCartney, of Pittsburgh. The Patent is jointly assigned to the University of Pittsburgh, the U.S. Department of Veterans Affairs, and the University of Pittsburgh Medical Center.

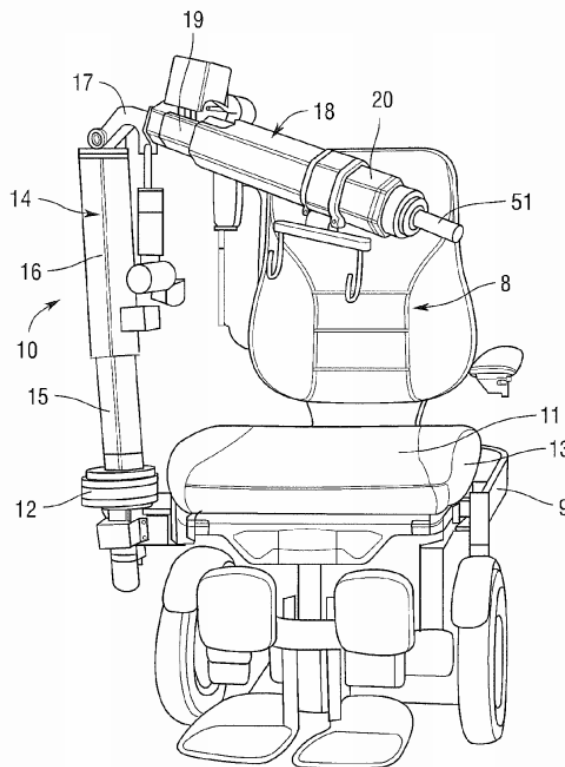


Fig.8

This invention discloses a robotic strong arm (RSA) for assisting in the transfer of a person from one surface to another. As the patent document explains, there are approximately 1.5 million people in the United States who have disabilities that require them to use a wheelchair. This device is designed to alleviate the stresses and strains of rotating between sitting positions, an often troublesome routine for many wheelchair users.

As you can see, this patent is yet another great example of how Pittsburgh natives and enterprises continue to advance pivotal research and development.

RECENTLY FILED IP CASES IN THE WESTERN DISTRICT OF PENNSYLVANIA

Case	Westmoreland Advanced Materials, Inc. v. Allied Mineral Products, Inc.
Case Number	2:2016cv00263
Filed	March 7, 2016
Presiding Judge	Judge Arthur J. Schwab
Cause	Patent Infringement

Case	SCIOinspire Corp. v. Verifood, Ltd. et al.
Case Number	2:2016cv00240
Filed	March 2, 2016
Presiding Judge	Magistrate Judge Lisa Pupo Lenihan
Cause	Trademark Infringement



SAVE THE DATE!

2016 PIPLA Golf Outing

Where: Lindenwood Golf Club - Canonsburg

When: Thursday, June 9, 2016

Tee Time: 12:00 PM

More details to follow shortly

FROM THE NEWSLETTER COMMITTEE

We hope you've enjoyed this issue of the 2015/2016 PIPLA News, an informative and hopefully entertaining look at the goings on in IP law. We invite our entire readership to contribute to this endeavor with articles, announcements, and job postings of your own. If you have something you would like included in PIPLA News or have questions about how you can contribute, please contact Michael Grese at 412-471-8815 or at mgrese@webblaw.com.

EDITORIAL BOARD

Michael Grese, Co-Chair (412-471-8815)
 Jordan Riviello, Co-Chair (412-471-8815)
 Greg Madden
 Maximilian Meese